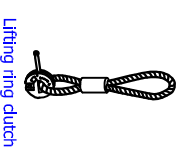
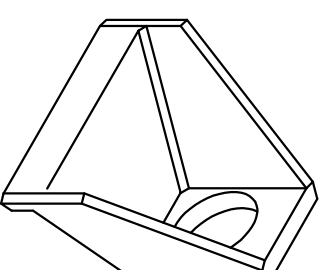


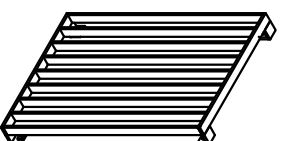
# H7C C

(DRAINAGE OUTFALL)

Grating manufactured from 40 x 10 flat at 75mm centres spaced 50mm away from the back wall. Fully Welded and hot dip galvanised.



Lifting ring duct



Detail 'B'



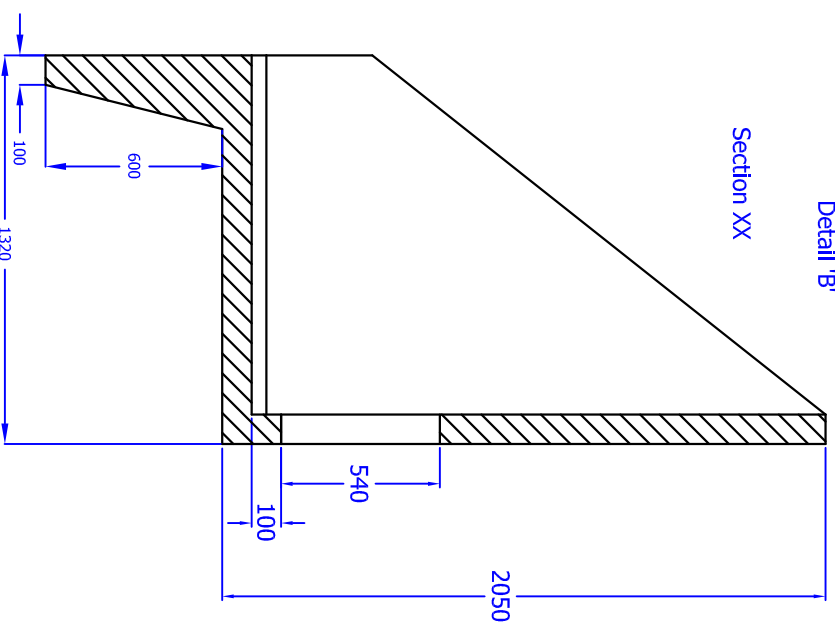
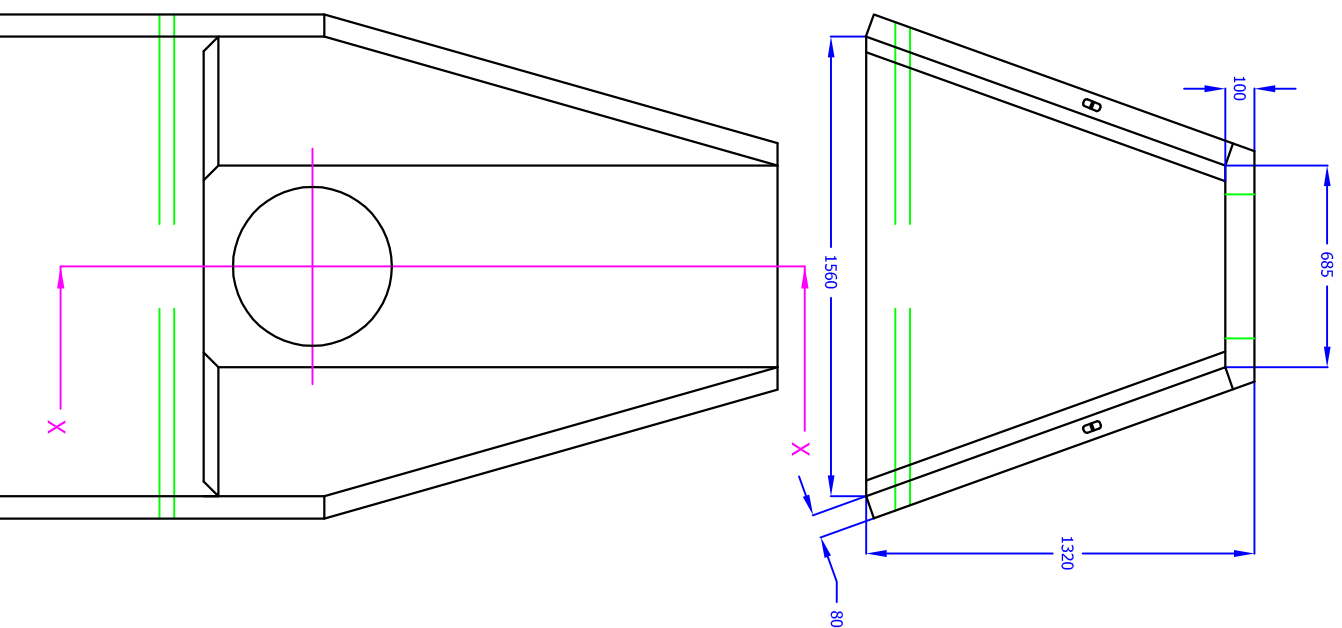
Detail 'A'  
Cast in Universal anchor point

### Installation

Units should be bedded on minimum 100mm of semi-dry concrete. Sit the headwall level or with a slight fall 1:50 from pipe to spill mouth.

**Material:** Reinforced concrete  
**Weight** approximately 1885kg

**All dimensions in mm**



UNITED VULCAN ROAD SOUTH WINDING NINEBAR  
TEL 01953 489150 FAX 01953 489158

Drwg. No. H7C c