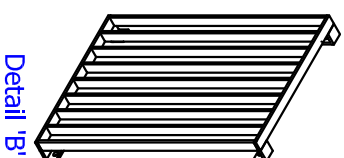
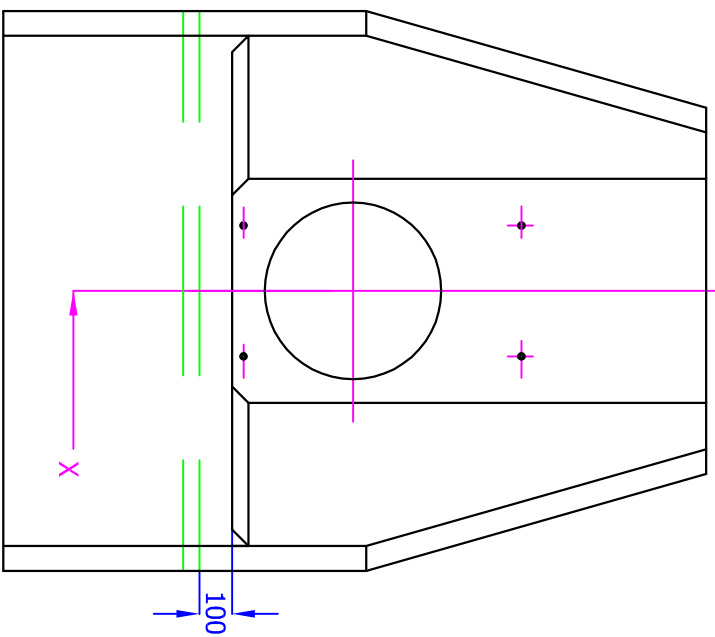
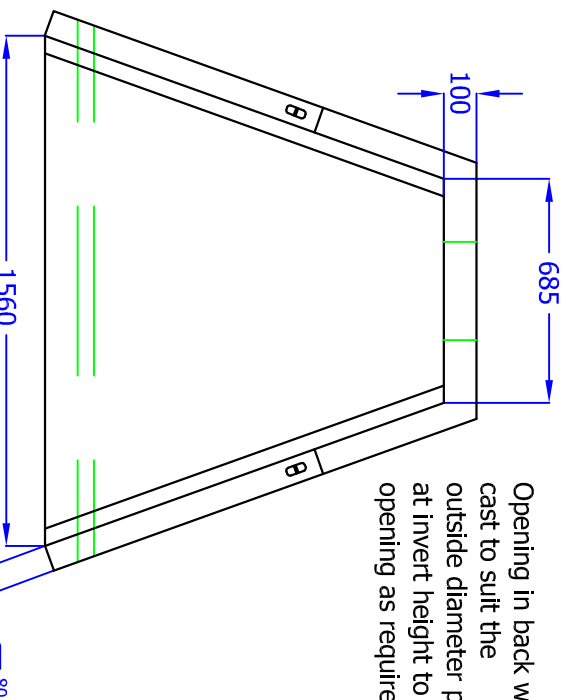


H7C b

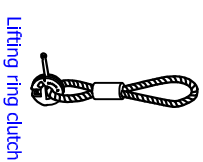
(DRAINAGE OUTFALL)

Opening in back wall cast to suit the outside diameter pipe at invert height to opening as required.

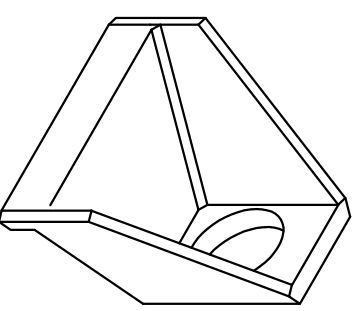
Grating manufactured from 40 x 10 flat at 75mm centres spaced 50mm away from the back wall. Fully Welded and hot dip galvanised.



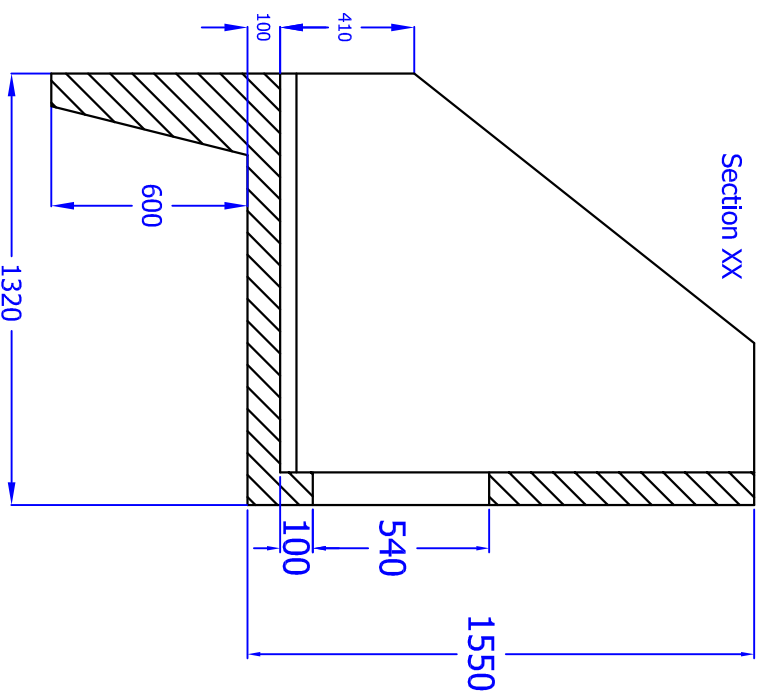
Detail 'B'



Lifting ring clutch



Section XX



Detail 'A'
"Cast in" Universal anchor point

Installation

Units should be bedded on minimum 100mm of semi-dry concrete. Sit the headwall level or with a slight fall 1:50 from pipe to spill mouth.

Material: Reinforced concrete
Weight approximately 1735kg

All dimensions in mm



ALTHON LIMITED, VULCAN ROAD SOUTH, NORWICH NR8 6AF
TEL 01603 488700 FAX 01603 488598

Drg. No. H7C b