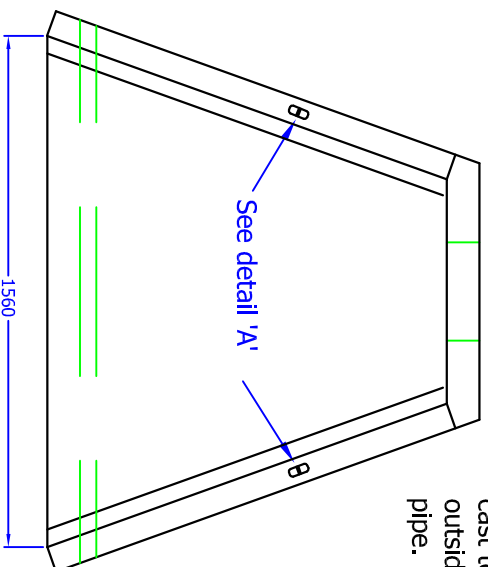
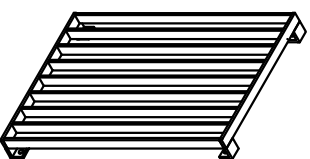


Opening in back wall  
cast to suit the  
outside diameter  
pipe.



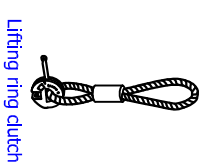
Grating manufactured from 40 x 10 flat at  
75mm centres spaced 50mm away from the  
back wall. Fully Welded and hot dip galvanised.



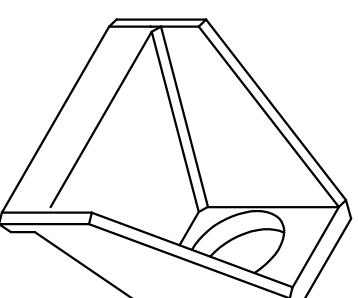
Detail 'B'

# H7C a

(DRAINAGE OUTFALL)



Lifting ring clutch



Detail 'A'

'Cast in' Universal anchor point

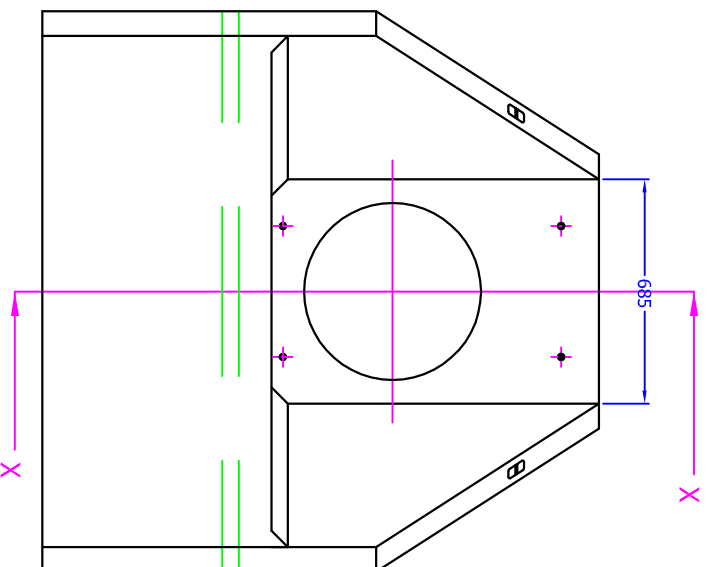


### Installation

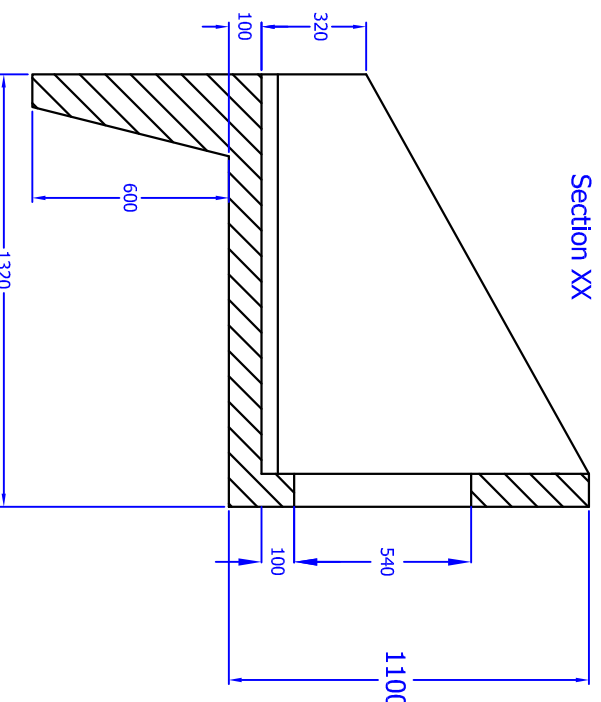
Units should be bedded on minimum 100mm of  
semi-dry concrete. Sit the headwall level or with  
a slight fall 1:50 from pipe to spill mouth.

**Material:** Reinforced concrete  
**Weight** approximately 1375kg

**All dimensions in mm**



Section XX



ALTHON LIMITED, VULCAN ROAD SOUTH, NORWICH NR6 6AF  
TEL 01603 488700 FAX 01603 488598

Drq. No. H7C a