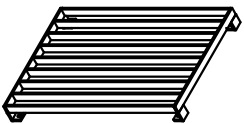
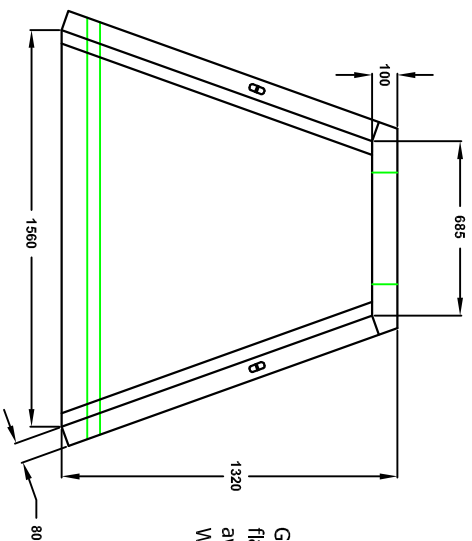


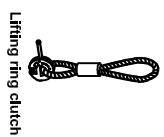


SPILLWAY HEADWALL
H6C C (DRAINAGE OUTFALL)

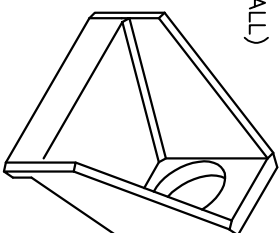
Grating manufactured from 40 x 10 flat at 75mm centres spaced 50mm away from the back wall. Fully welded and hot dip galvanised.



Detail 'B'



Lifting ring clutch



Detail 'A'
Cast in Universal anchor point

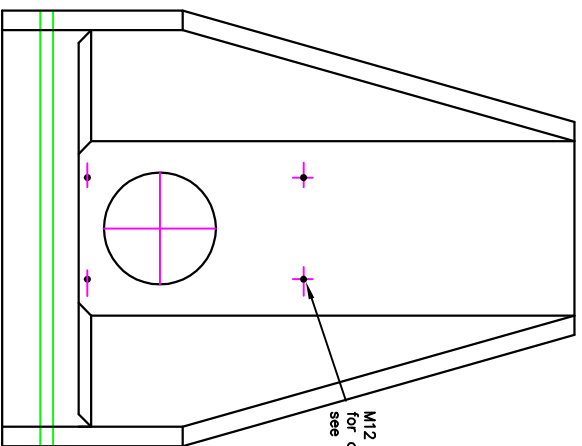
Installation

Units should be bedded on minimum 100mm of semi-dry concrete. Sit the headwall level or with a slight fall 1:50 from pipe to spill mouth. For full detailed installation instructions contact ALTHON Ltd. 01603 488700

Material: Reinforced concrete
Weight approximately 940kg

All dimensions in mm

Althon Ltd
Vulcan Rd South
Norwich NR6 6AF
t: 01603 488700
f: 01603 488598
www.althon.co.uk



M12 threaded socket for attaching grating see Detail B

