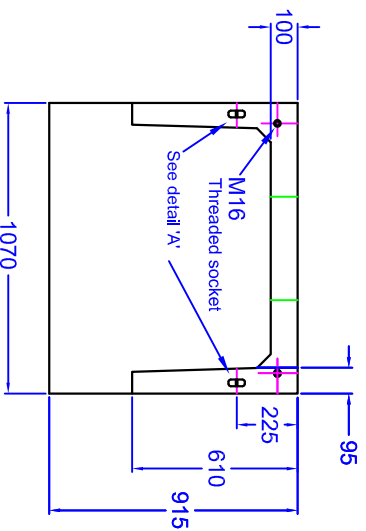
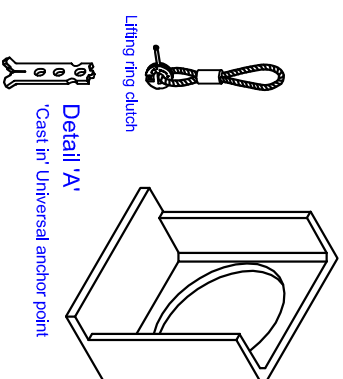
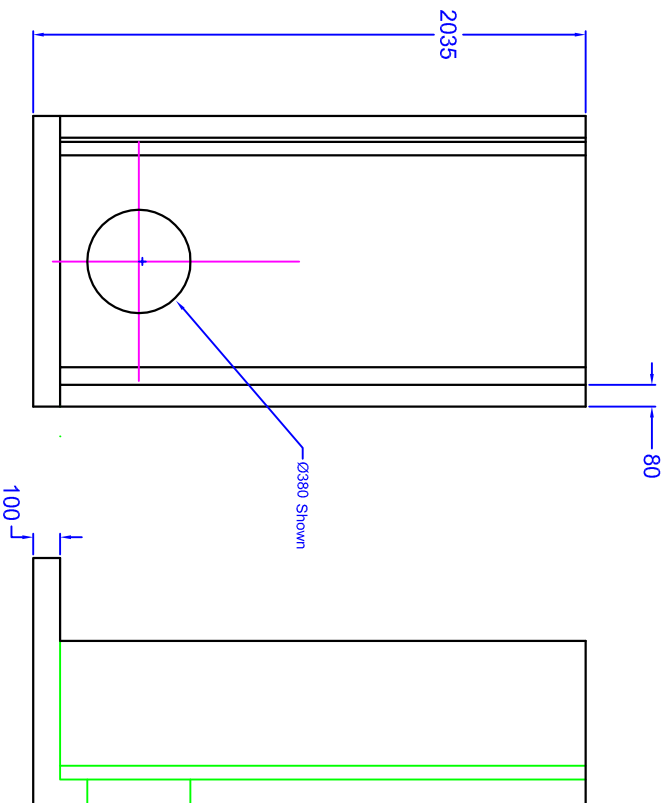


# H40C D HEADWALL



Each headwall is cast with an opening to suit the outside diameter of the pipe being used at the invert height required. Size of hole shown in backwall is indicative only.



Detail 'A'  
Cast in Universal anchor point

## Installation

Units should be bedded on minimum 100mm of semi-dry concrete which extends 800mm forward of the headwall, and the full width of the ditch.

For full details and installation instructions contact Althon Ltd on Tel: 01603 488700

**Material:** Reinforced concrete  
**Weight** approximately 1120kg  
**All dimensions** in mm



ALTHON LIMITED, VULCAN ROAD SOUTH, NORWICH, NR11 3AF  
 TEL: 01603 488700 FAX: 01603 488598

Drg. No. H40C D