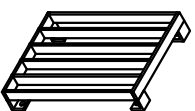
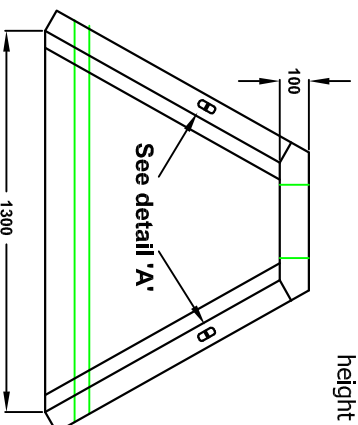


SPILLWAY HEADWALL H3C (DRAINAGE OUTFALL)

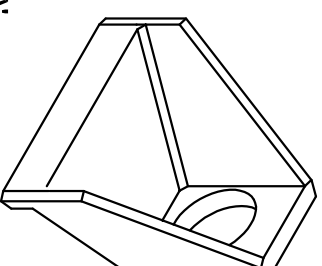
Opening in back wall cast to suit the outside diameter pipe at invert height to opening as required.



Detail 'B'



Lifting ring clutch



Detail 'A'

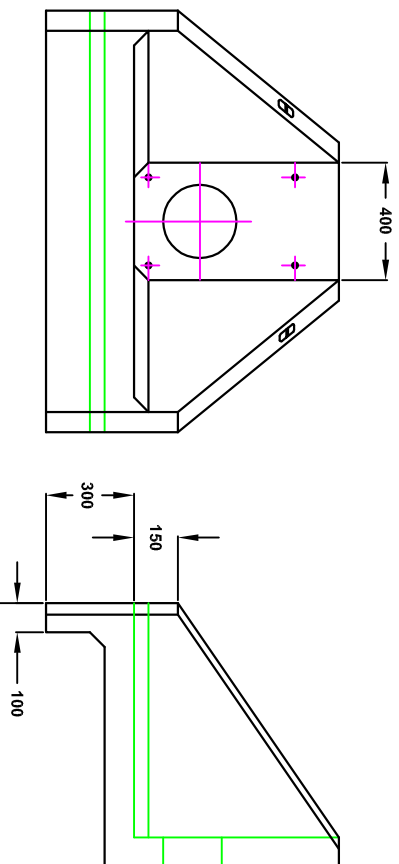
'Cast In' Universal anchor point

Installation

Units should be bedded on minimum 100mm of semi-dry concrete. Sit the headwall level or with a slight fall 1:50 from pipe to spill mouth.
For full detailed installation instructions contact ALTHON Ltd, 01603 488700

Material: Reinforced concrete
Weight approximately 540kg

All dimensions in mm



Althon Ltd
Vulcan Rd South
Norwich NR6 6AF
t: 01603 488700
f: 01603 488598
www.althon.co.uk