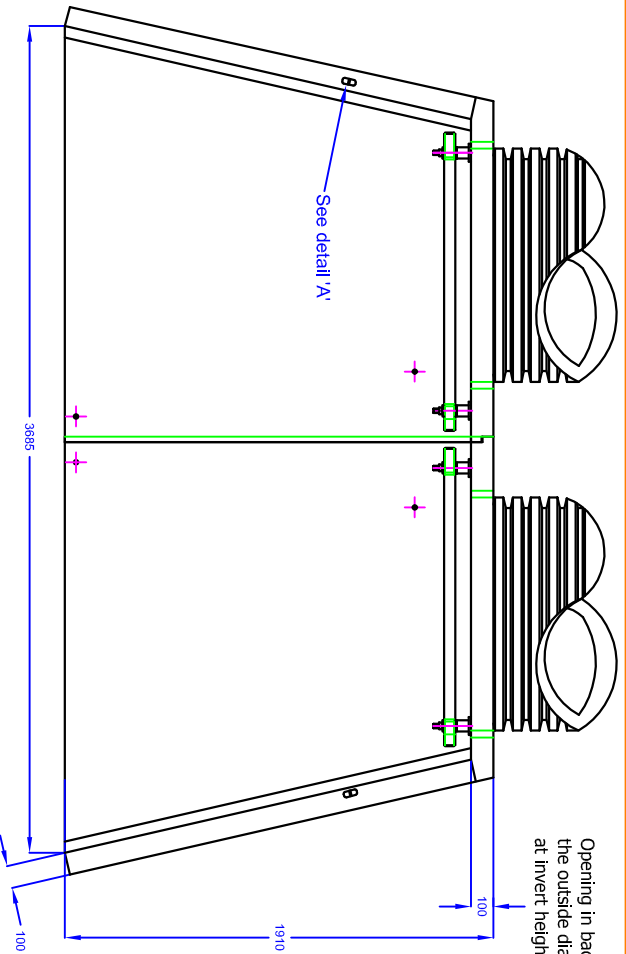
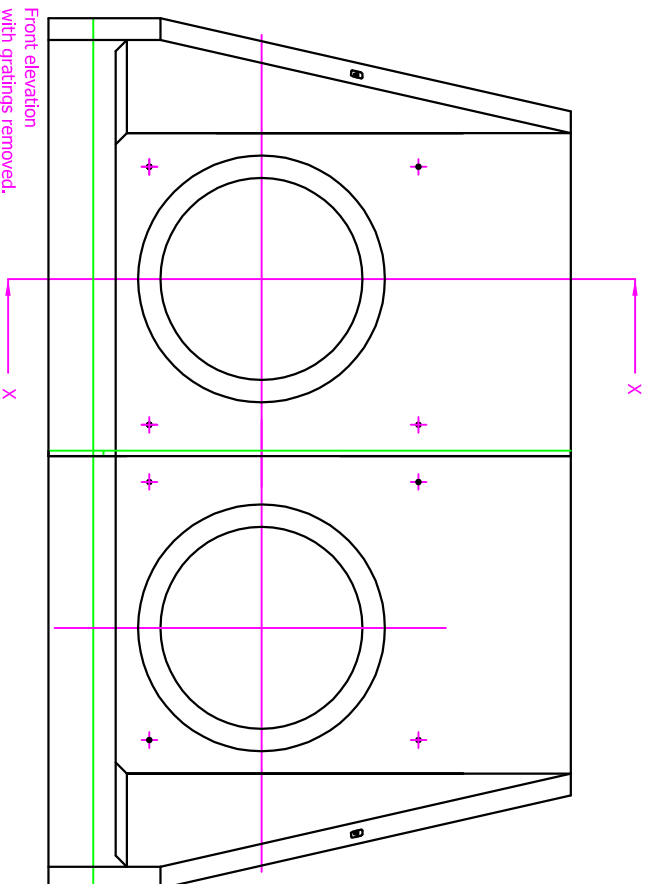
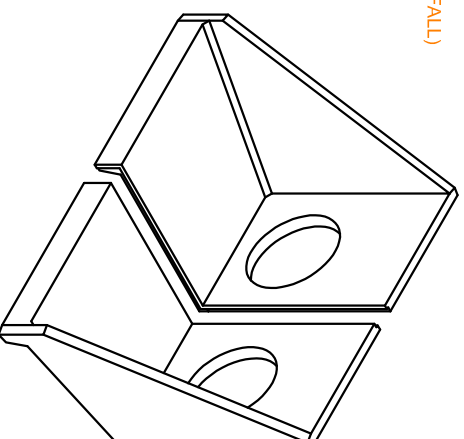
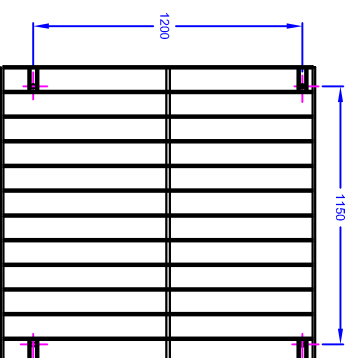


Opening in back wall cast to suit the outside diameter of the pipe at invert height required.

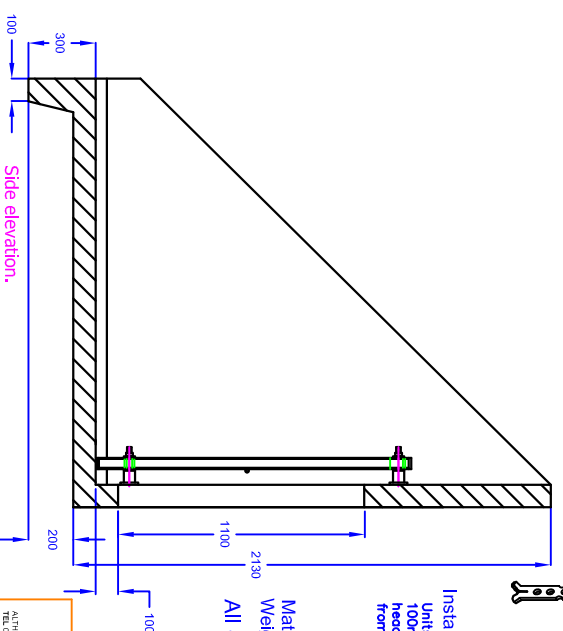


## H28C C HEADWALL

(DRAINAGE OUTFALL)



### Section XX



Universal Lifting Eye



Detail 'A'  
Cast in anchor pin

**Installation**  
Units should be bedded on a minimum 100mm layer of sand. Sit the headwall lower or with a slight fall from pipe to spill mouth.

**Material:** Reinforced concrete  
Weight approximately 4400kg  
All dimensions in mm

**RALTHON**

ALTHON INDUSTRIES (AUSTRALIA) PTY LTD  
TEL: 01823 481000 FAX: 01823 481008  
TEL: 01823 481010

Dwg. No. H28Cc