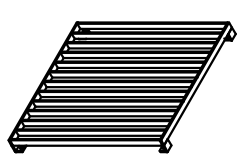
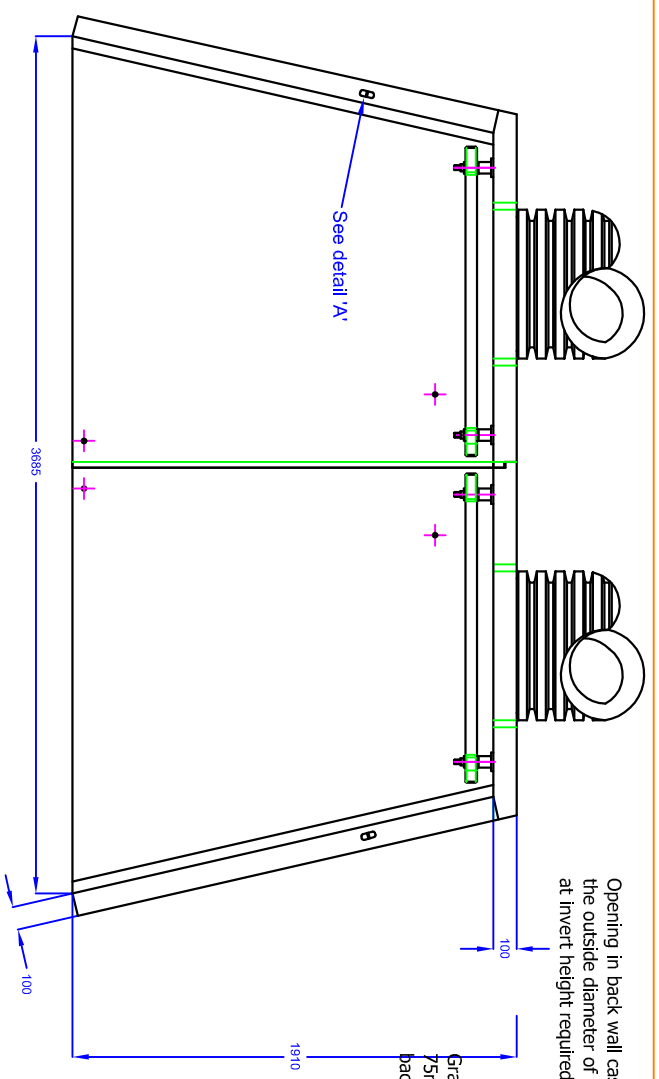


H28C B HEADWALL

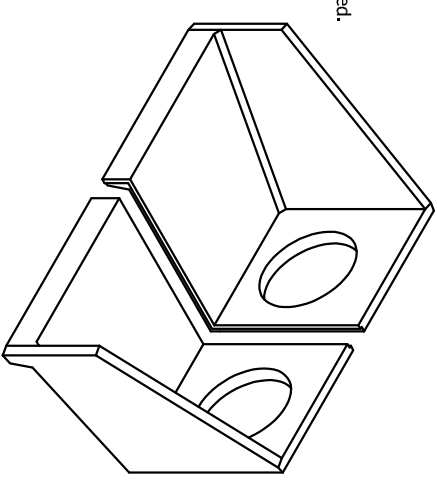
(DRAINAGE OUTFALL)

Opening in back wall cast to suit the outside diameter of the pipe at invert height required.

Grating manufactured from 40 x 10 flat at 75mm centres spaced 50mm away from the back wall. Fully Welded and hot dip galvanised.



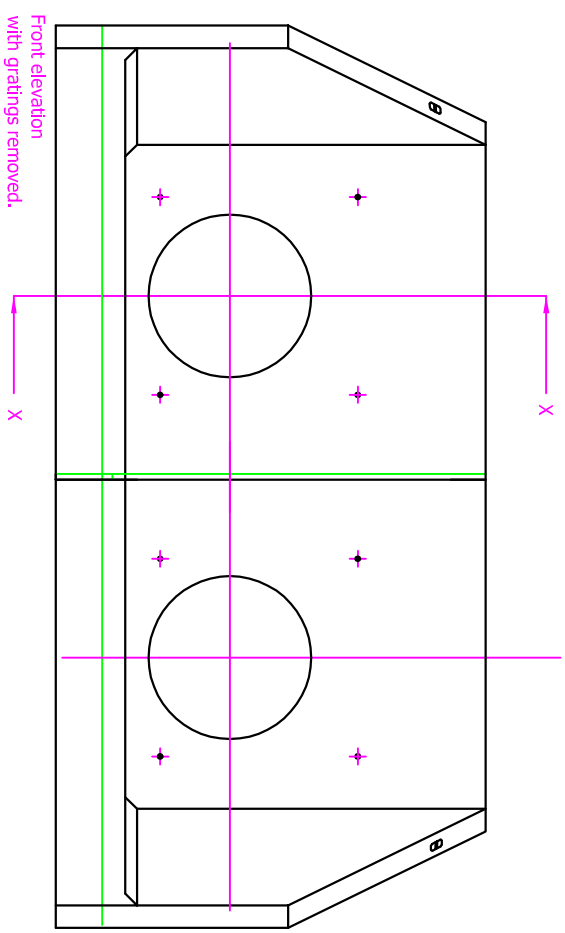
Detail 'B'



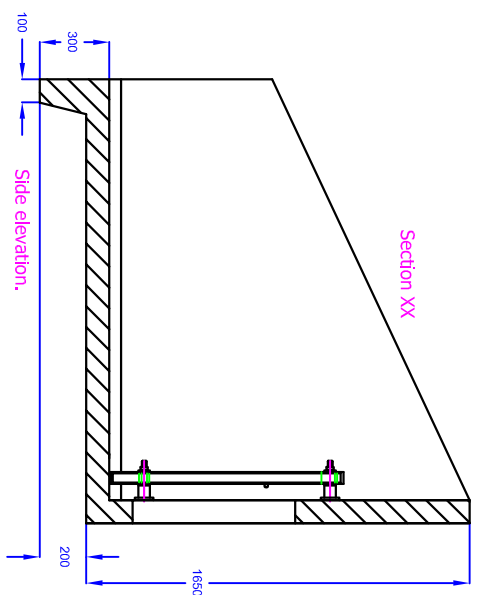
Universal Lifting Eye



Detail 'A'
Cast in/ and/or pin



Front elevation with gratings removed.



Section XX

Side elevation.

Installation

Units should be bedded on minimum 100mm of semi-dry concrete. Set the headwall level or with a slight fall 1:50 from pipe to spill mouth.

Material: Reinforced concrete
Weight approximately 4400kg

All dimensions in mm



MALTHON LIMITED, 15 CORNFIELD SOUTH, WINDING, WILTSHIRE
TEL: 01608 488700 FAX: 01608 488688

Dwg. No. H28C B