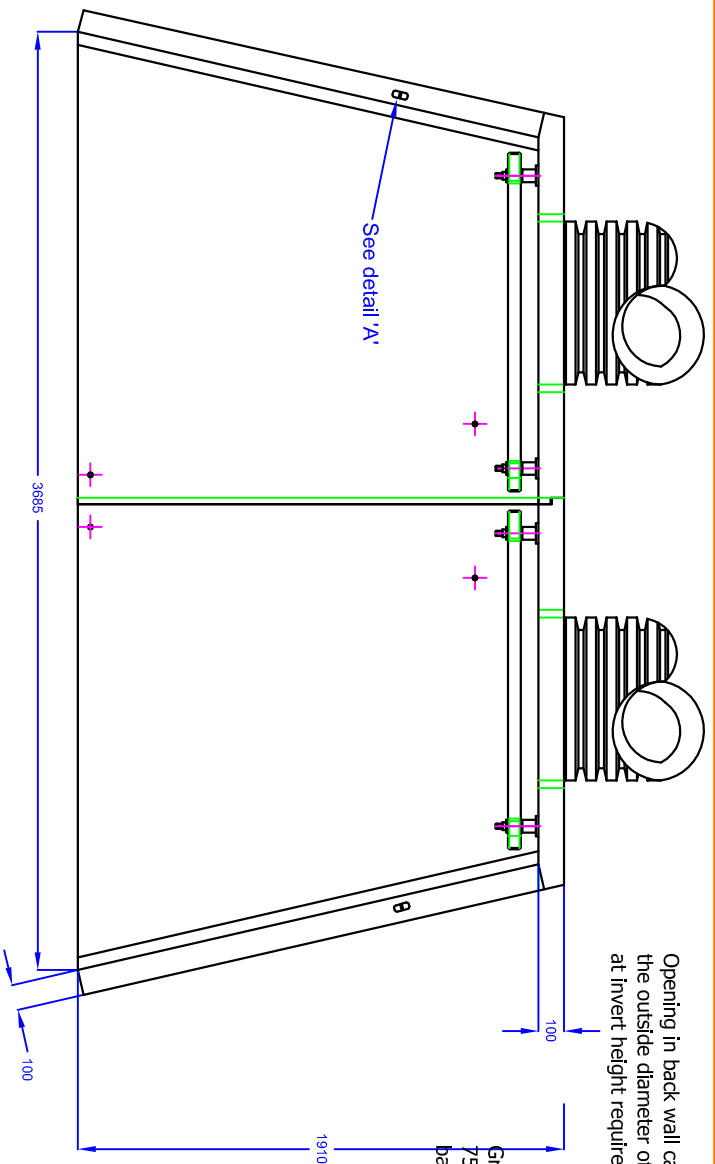


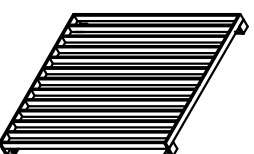
H28C A HEADWALL

(DRAINAGE OUTFALL)

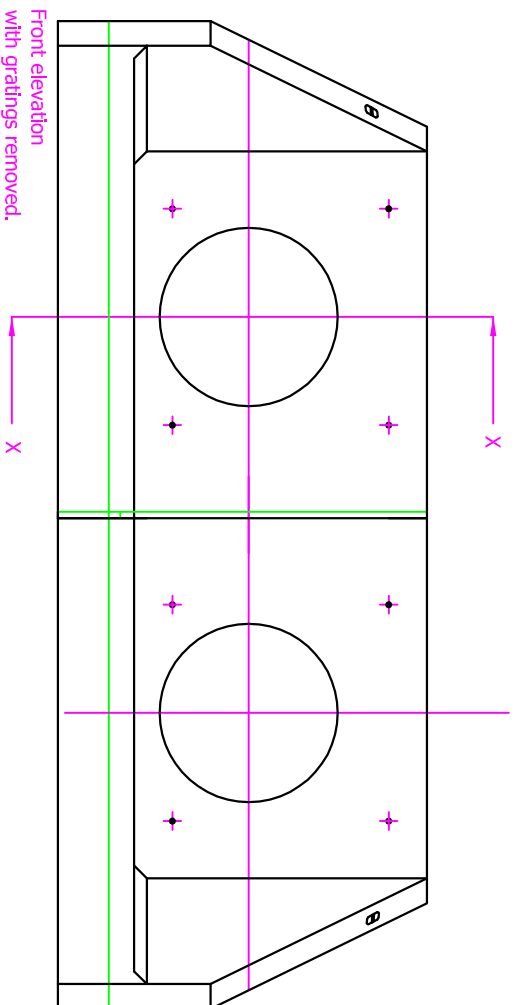
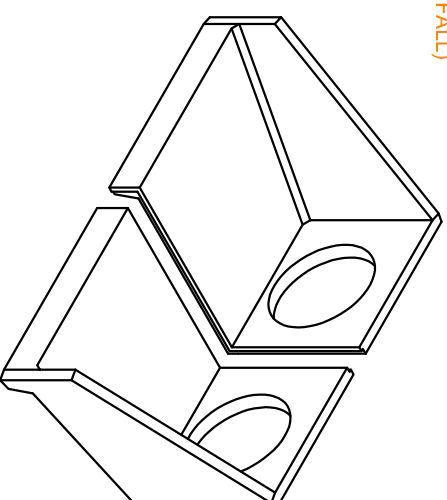


Opening in back wall cast to suit the outside diameter of the pipe at invert height required.

Grating manufactured from 40 x 10 flat at 75mm centres spaced 50mm away from the back wall. Fully welded and hot dip galvanised.

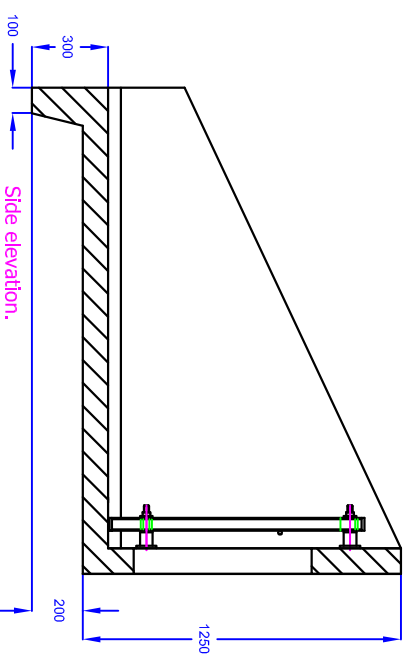


Detail 'B'



Front elevation with gratings removed.

Section XX



Side elevation.



Installation
 Universal fixing pins should be bedded on minimum 100mm of semi-dry concrete. Sit the headwall level or with a slight fall 1:50 from pipe to pipe mouth.
 *Cast in anchor pin

Material: Reinforced concrete
 Weight approximately 4400kg

All dimensions in mm



NALTHON LIMITED, VULCAN ROAD SOUTH, HORNBY, HBA 6AF
 TEL: 01693 488700 FAX: 01693 488398

Dwg. No. H28C A