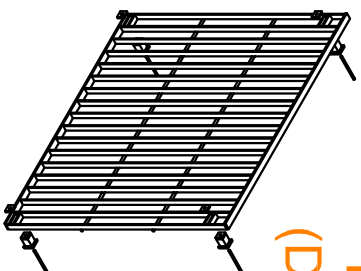
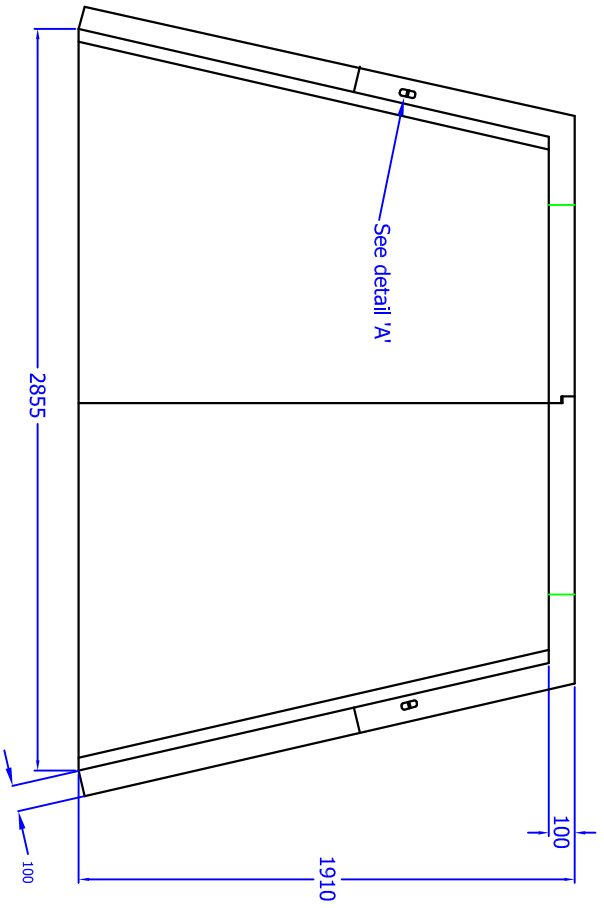
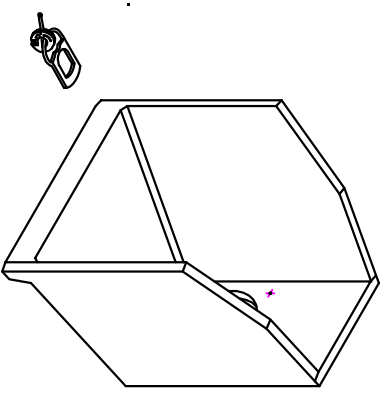


H20C F HEADWALL (DRAINAGE OUTFALL)



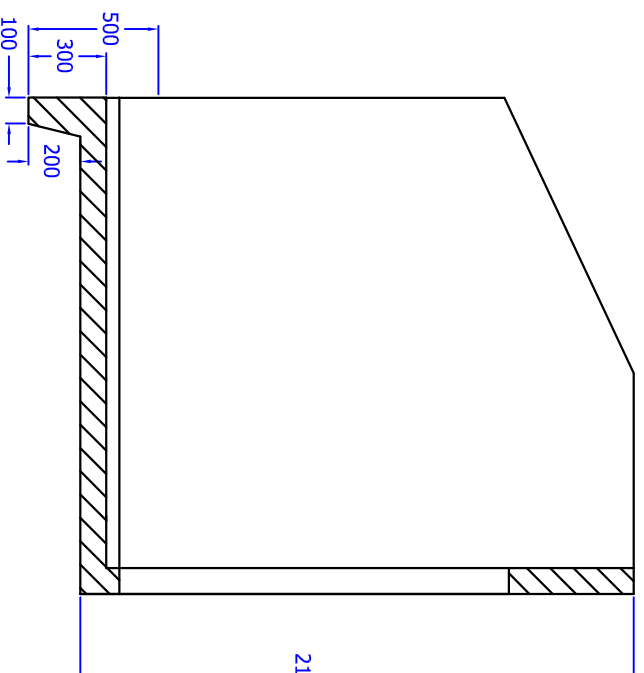
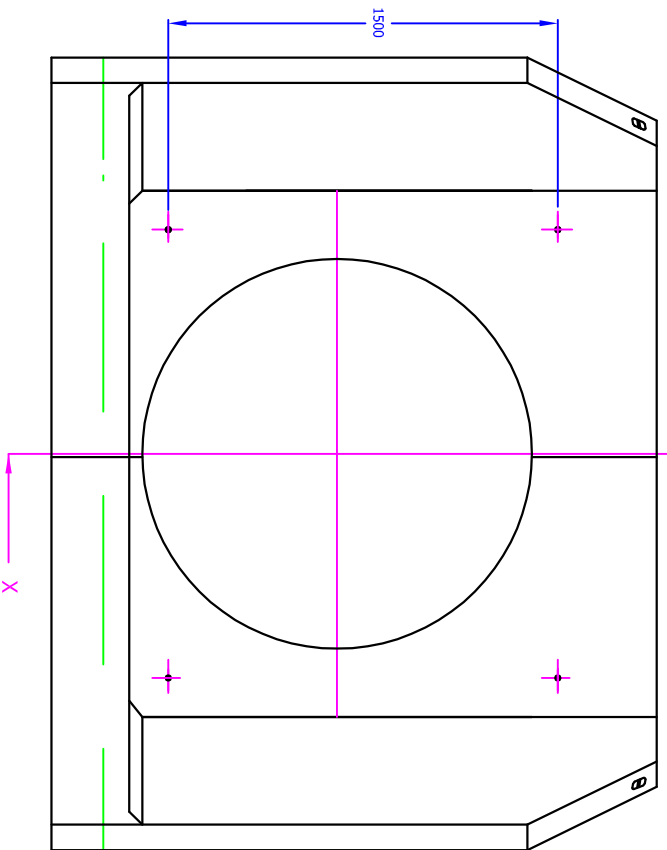
Grating manufactured from 40 x 10 flat at 110mm centres spaced 75mm away from the back wall. Fully welded and hot dip galvanised.



Universal Lifting Eye

Detail 'A'
'Cast in' anchor pin

Section XX



Installation
Units should be bedded on minimum 100mm of semi-dry concrete. Sit the headwall level or with a slight fall 1:50 from pipe to spill mouth.

Material: Reinforced Concrete
Weight approximately 4000-4400kg
All dimensions in mm



ALTHON LIMITED, VULCAN ROAD, SOUTH NORWICH, NORSWICH, IP19 6AW
TEL: 01603 488700 FAX: 01603 488988

Dwg. No. H20C F