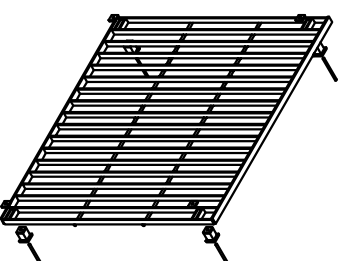
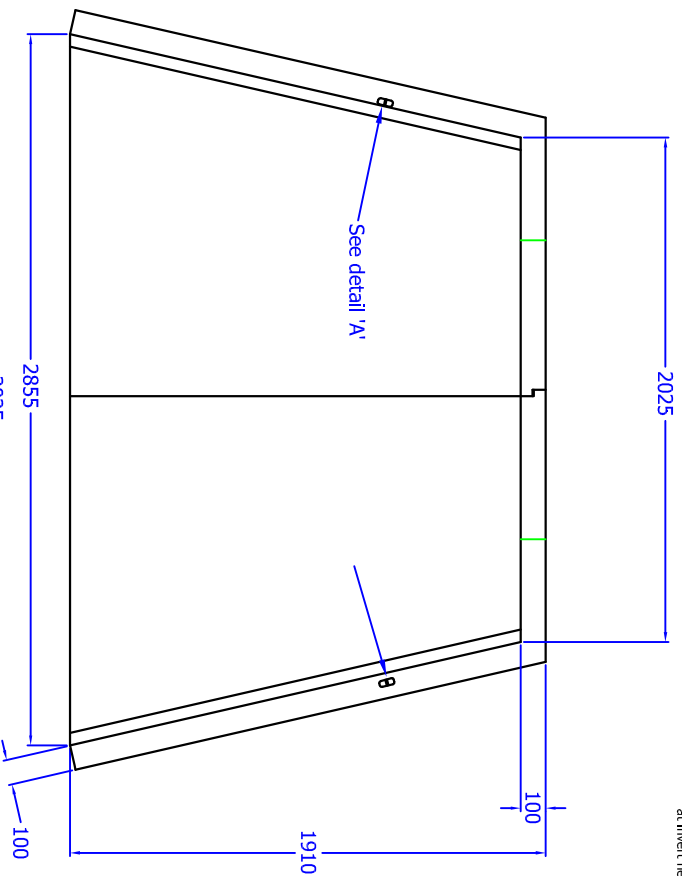
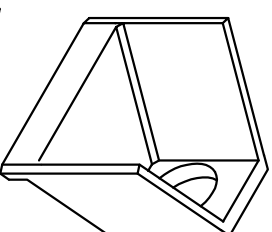


Opening in back wall cast to suit the outside diameter of the pipe at Invert height required.

H20C E HEADWALL (DRAINAGE OUTFALL)



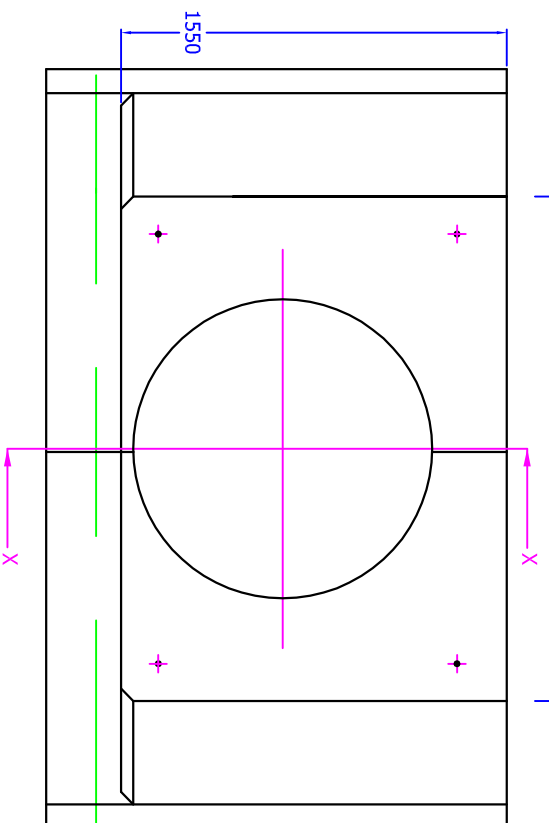
Grating manufactured from 40 x 10 flat at 110mm centres spaced 75mm away from the back wall. Fully Welded and hot dip galvanised.



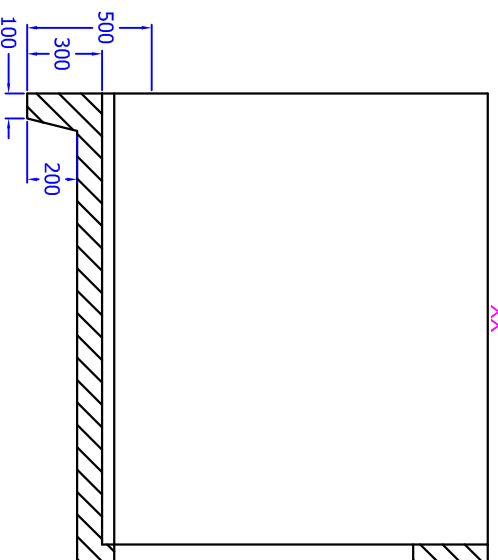
Universal Lifting Eye



Detail 'A'
Cast in anchor pin



Section
XX



Installation
Units should be bedded on minimum 100mm of semi-dry concrete. Sit the headwall level or with a slight fall 1:50 from pipe to spill mouth.

Material: Reinforced Concrete
Weight approximately 3700kg
All dimensions in mm



NATHON LIMITED VULCANROAD SOUTH HORSFORTH LEESDALE
TEL: 01936 488700 FAX: 01936 488588

Drig. No. H20C E