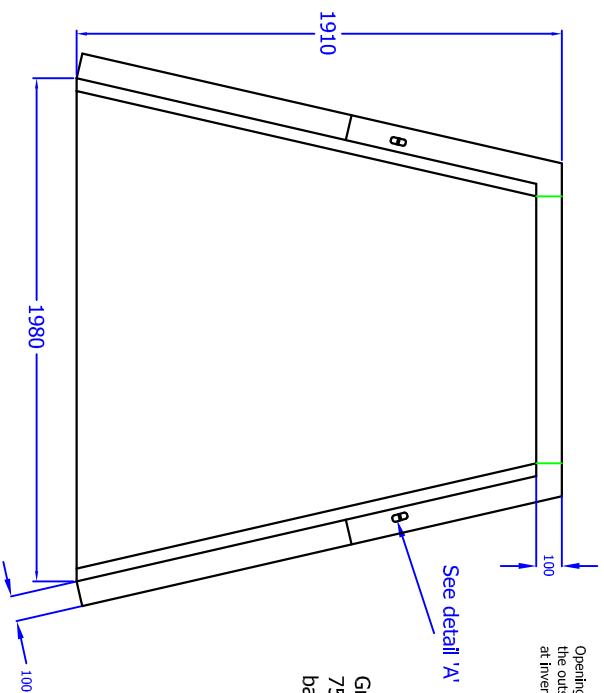
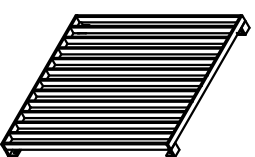


H10C F HEADWALL (DRAINAGE OUTFALL)

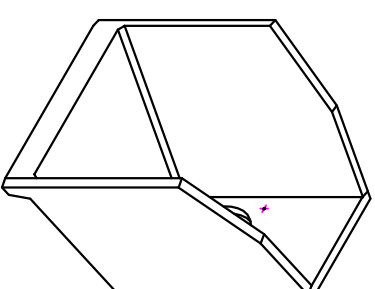
Opening in back wall cast to suit the outside diameter of the pipe at invert height required.



Grating manufactured from 40 x 10 flat at 75mm centres spaced 50mm away from the back wall. Fully Welded and hot dip galvanised.



Detail 'B'



Universal Lifting Eye



Detail 'A'
'Cast in' anchor pin

Installation

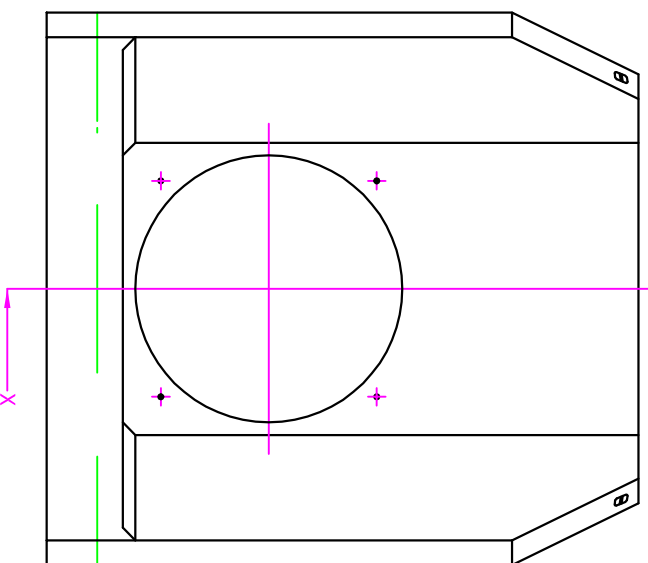
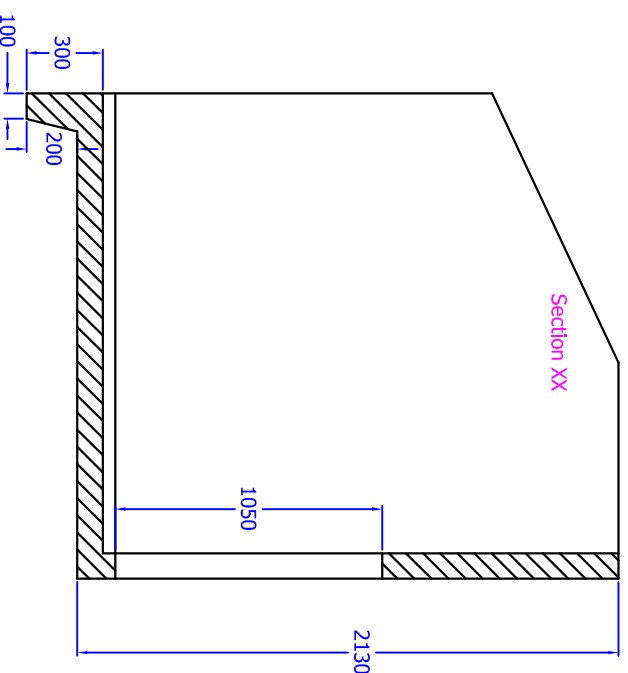
Units should be bedded on minimum 100mm of semi-dry concrete. Sit the headwall level or with a slight fall 1:50 from pipe to spill mouth.

Material: Reinforced Concrete

Weight approximately 3380kg

All dimensions in mm

Section XX



ALTHON LIMITED, VULCAN ROAD SOUTH, KOSCIUSZKI HILLS AFB
TEL: 0800 468900 FAX: 0800 468999

Drwg. No. H10C F