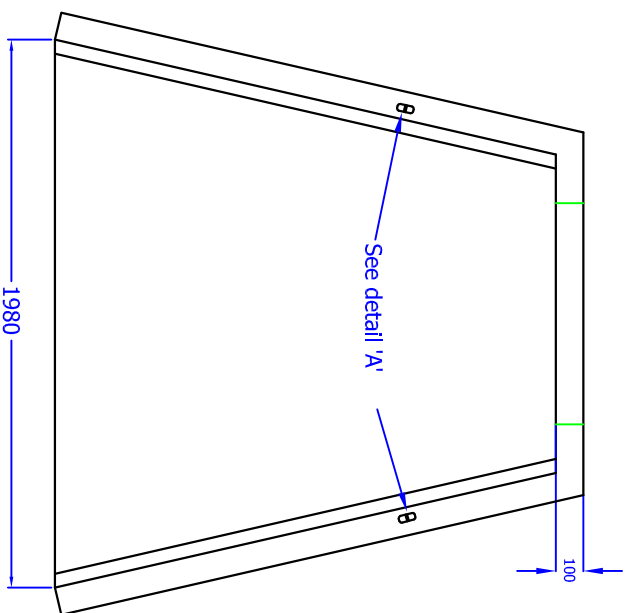


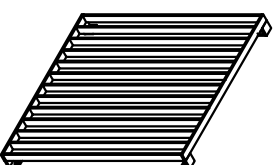
# H10C E HEADWALL

## (DRAINAGE OUTFALL)

Opening in back wall cast to suit the outside diameter of the pipe at invert height required.

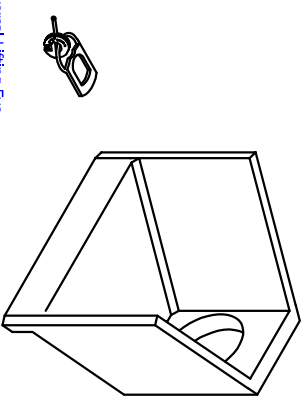


Grating manufactured from 40 x 10 flat at 75mm centres spaced 50mm away from the back wall. Fully Welded and hot dip galvanised.



Detail 'B'

Section XX



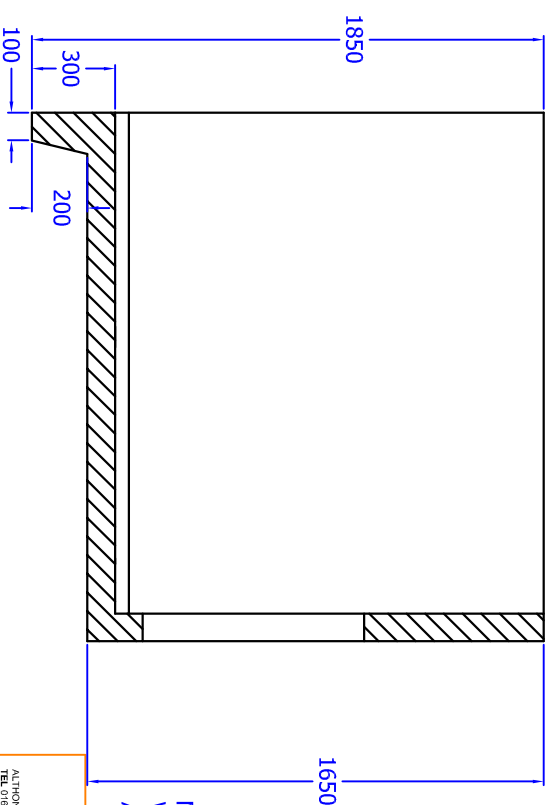
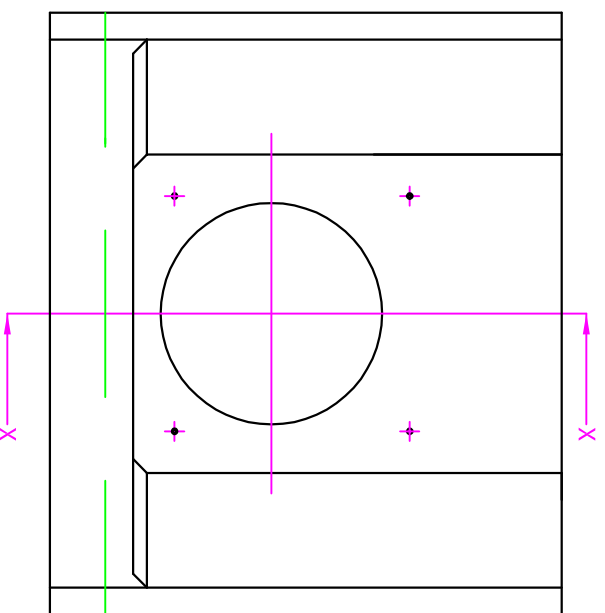
Universal Lifting Eye

Detail 'A'

'Cast in' anchor pin

### Installation

Units should be bedded on minimum 100mm of semi-dry concrete. Sit the headwall level or with a slight fall 1:50 from pipe to spill mouth.



**Material :- Reinforced Concrete.**  
**Weight :- Approximately 2980kg**  
 All dimensions in mm.



ALTHON LIMITED, VULCAN ROAD SOUTH, NORWICH NR8 5AF  
 TEL: 01603 488700 FAX: 01603 488288

Dwg. No. H10C E