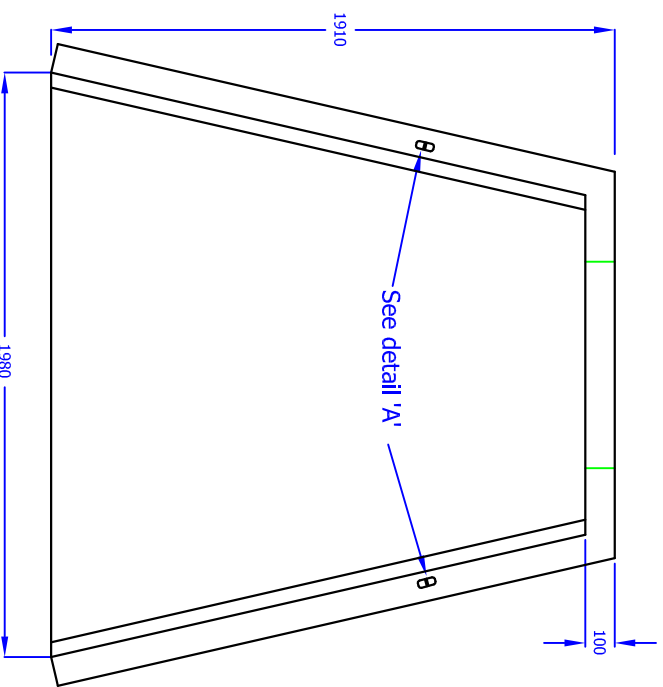


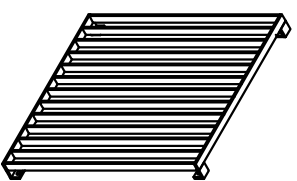
H10C D HEADWALL

(DRAINAGE OUTFALL)

Opening in back wall cast to suit the outside diameter of the pipe at invert height required.

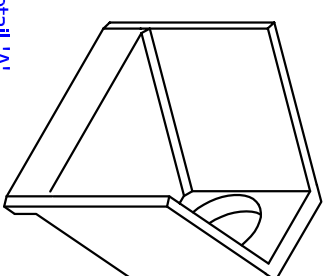


Grating manufactured from 40 x 10 flat at 75mm centres spaced 50mm away from the back wall. Fully Welded and hot dip galvanised.



Detail 'B'

Universal Lifting Eye



Detail 'A'

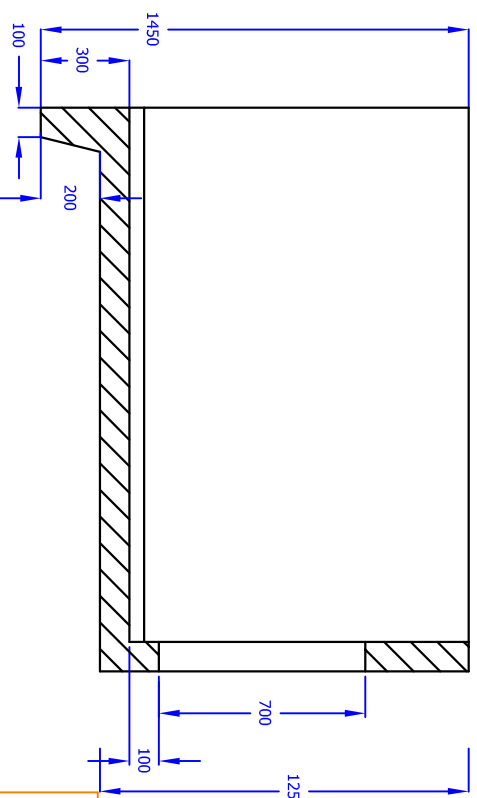
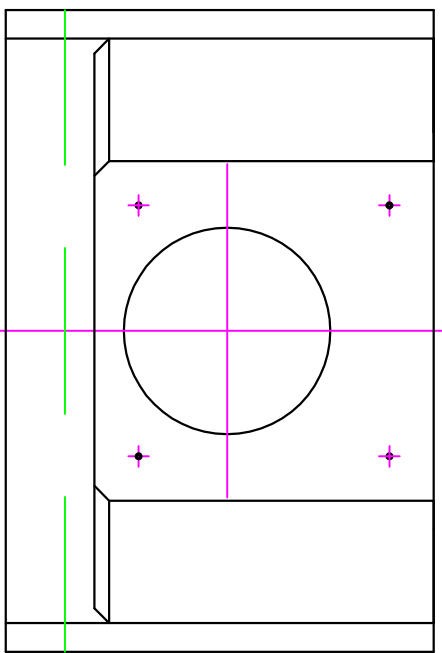
'Cast in' anchor pin



Installation

Units should be bedded on minimum 100mm of semi-dry concrete. Sit the headwall level or with a slight fall 1:50 from pipe to spill mouth.

Material :- Reinforced Concrete.
Weight :- Approximately 2480kg
All dimensions in mm.



ALTHON LIMITED VULCAN ROAD SOUTH NORWICH NR6 6AF
 TEL 01603 488700 FAX 01603 488598

Drg. No. H10C D