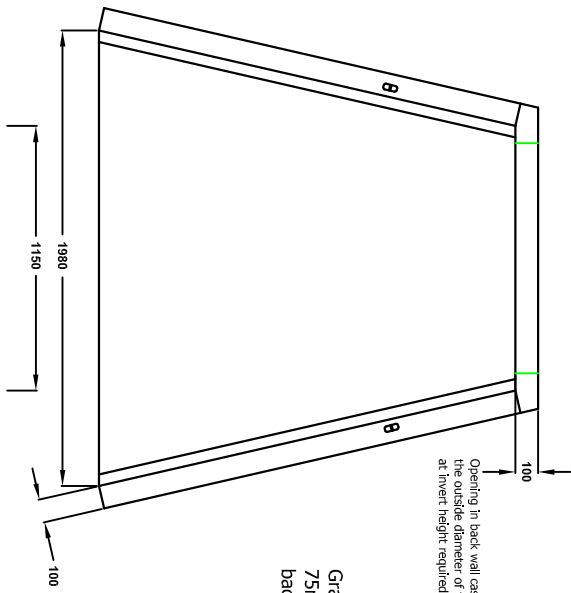


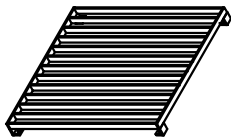


SPILLWAY HEADWALL H10C B (DRAINAGE OUTFALL)

Opening in back wall cast to suit the outside diameter of the pipe at invert height required.



Grating manufactured from 40 x 10 flat at 75mm centres spaced 50mm away from the back wall. Fully Welded and hot dip galvanised.



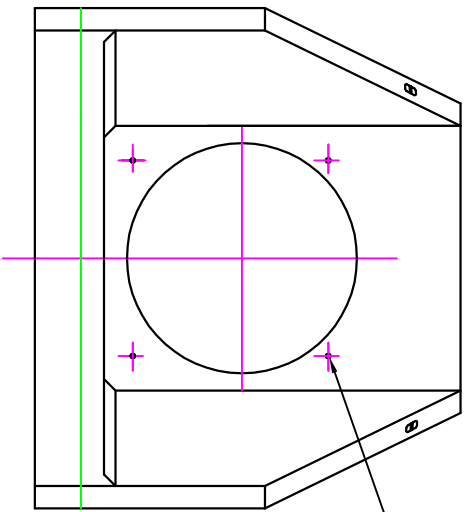
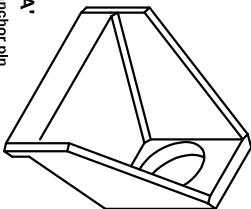
Detail 'B'



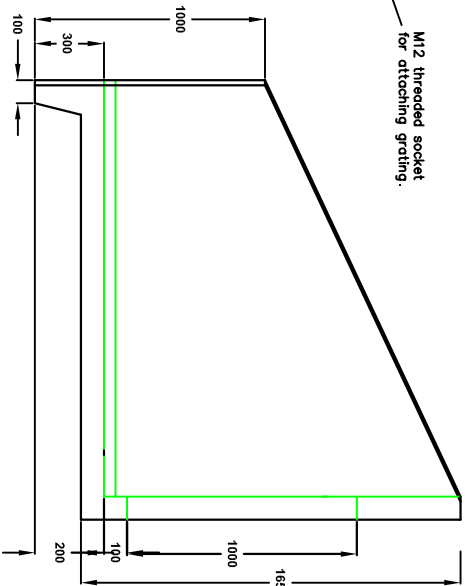
Universal Lifting Eye



Detail 'A'
Cast in anchor pin



M12 threaded socket for attaching grating.



Installation

Units should be bedded on minimum 100mm of semi-dry concrete. Sit the headwall level or with a slight fall 1:50 from pipe to spill mouth.
For full details installation instructions contact ALTHON Ltd, 01603 488700

Material: Reinforced concrete
Weight approximately 2300kg

All dimensions in mm

Althon Ltd
Vulcan Rd South
Norwich NR6 6AF
t: 01603 488700
f: 01603 488598
www.althon.co.uk