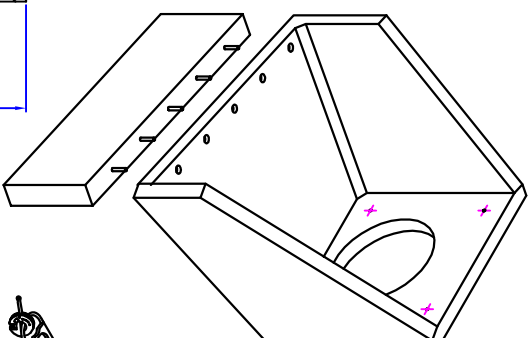
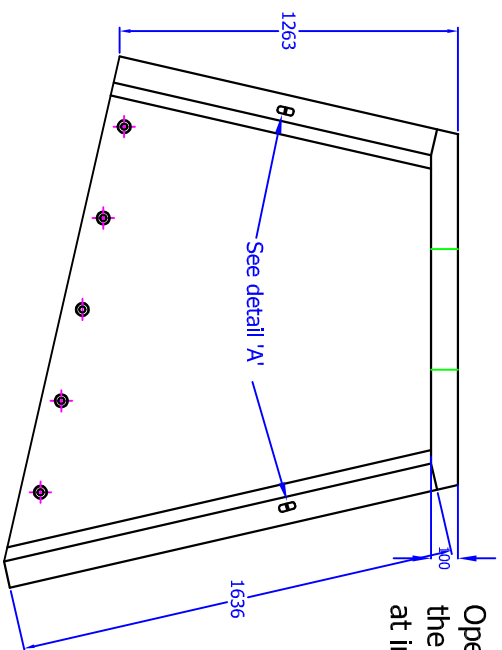


SPILLWAY HEADWALL 26° Angled AH10 RH C

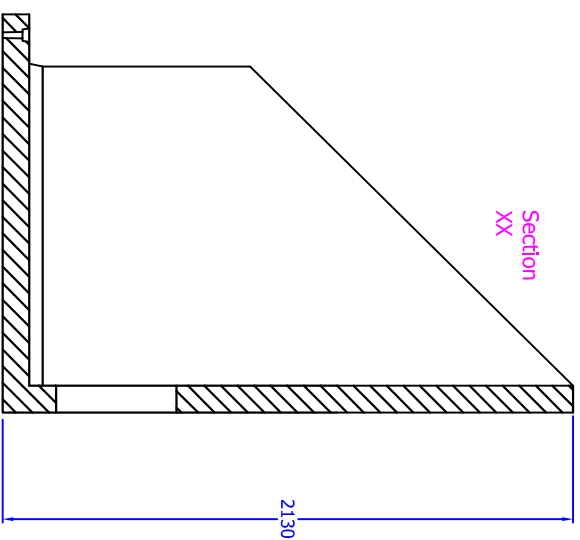
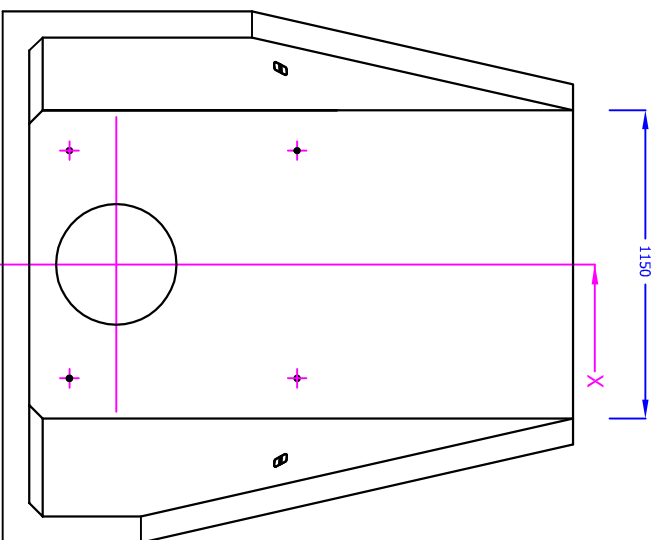
Opening in back wall cast to suit the outside diameter of the pipe at invert height required.



Universal Lifting Eye



Detail 'A'
'Cast In' anchor pin



Installation
Units should be bedded on minimum 100mm of semi-dry concrete. Sit the headwall level or with a slight fall 1:50 from pipe to spill mouth.

Material: Reinforced concrete
Weight approximately 2500kg

All dimensions in mm



ALTHON LIMITED VULCAN ROAD SOUTH NORWICH NR6 6AF
TEL 01603 468700 FAX 01603 468750

Dwg. No. AH10C RH C