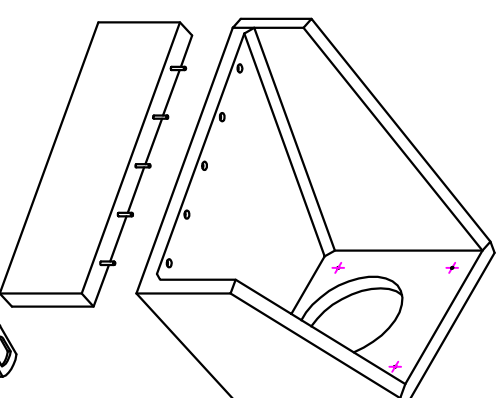
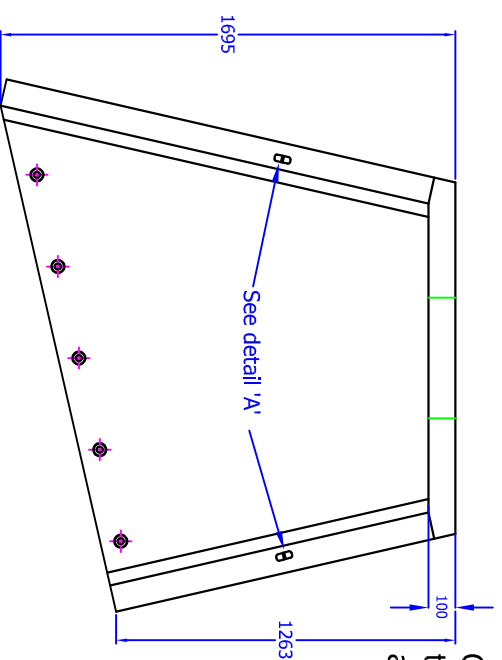


# SPILLWAY HEADWALL 26° Angled AH10 LH C

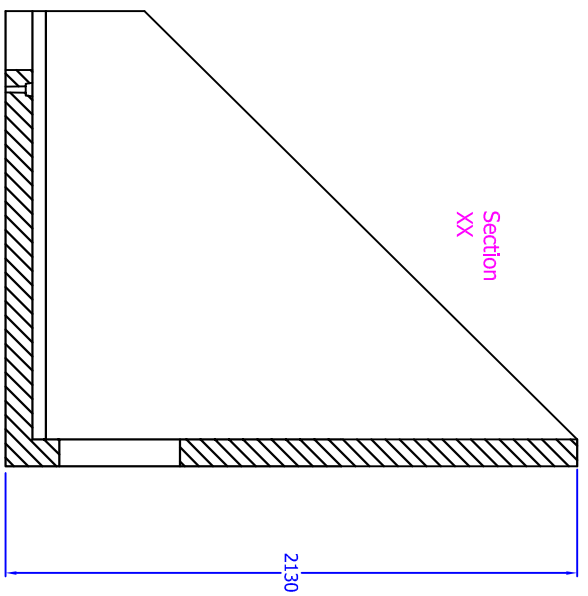
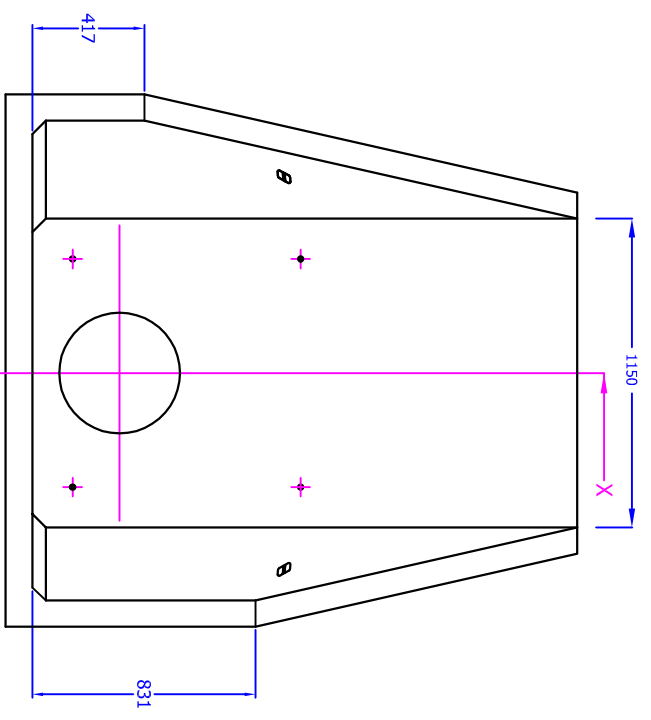
Opening in back wall cast to suit the outside diameter of the pipe at invert height required.



Universal Lifting Eye



Detail 'A'  
Cast in anchor pin



Section  
XX

**Installation**  
Units should be bedded on minimum 100mm of semi-dry concrete. Sit the headwall level or with a slight fall 1:50 from pipe to spill mouth.

**Material:** Reinforced concrete  
**Weight:** approximately 2500kg  
**All dimensions in mm**



ALTHON LIMITED, VILLICOM ROAD, SOUTH NORWICH, NRS6 6AF  
TEL: 01603 488700 FAX: 01603 488988

Drwg. No. AH10C LH C