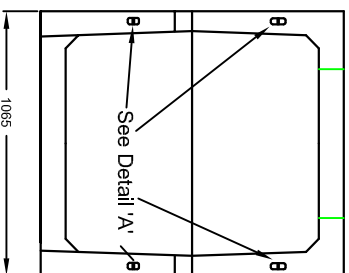
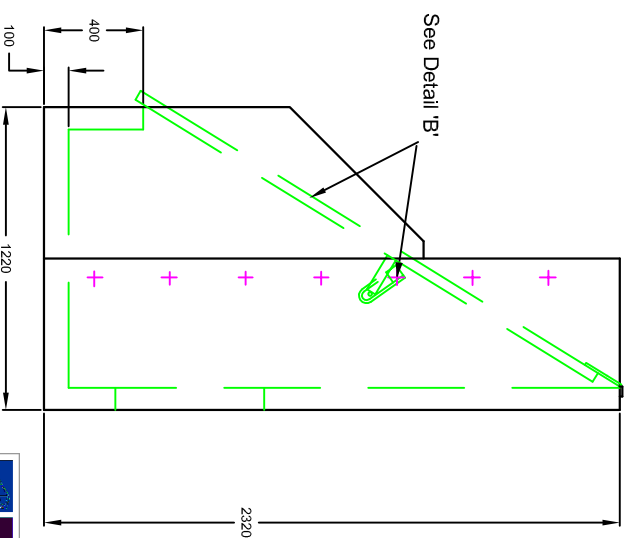
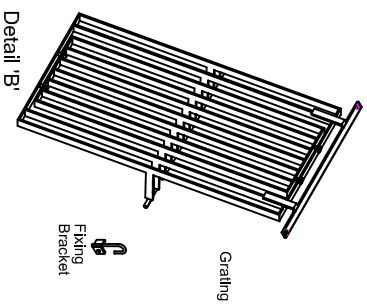
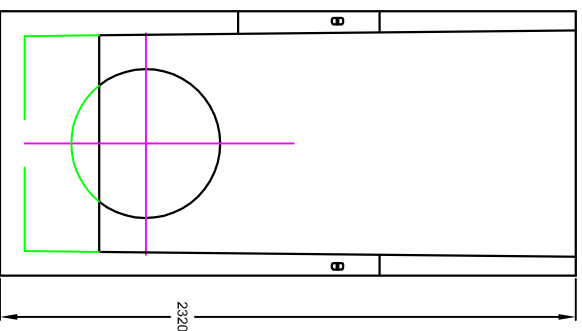


Plan View with  
grating removed.

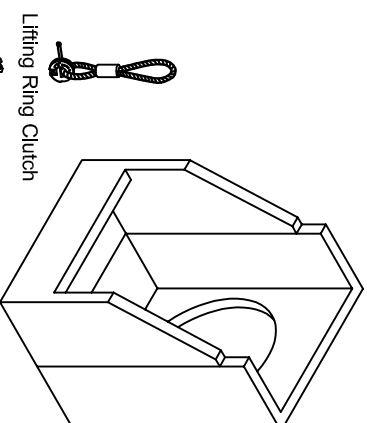


Opening cast into  
back wall to suit the  
outside diameter of  
the pipe at invert as  
required.

Front elevation with  
grating removed.



## TWO PIECE HEAVY DUTY SILT TRAP INLET 2PHDST G



Lifting Ring Clutch

Cast in Universal Anchor Point



Detail 'A'

### Installation

Units should be bedded on minimum 100mm of semi-dry concrete. Sit the headwall level with the front cill being set normally at ditch bed level. For full detailed installation instructions contact ALTHON Ltd, 01603 488700

Material: Reinforced concrete  
Weight approximately 1660kg

All dimensions in mm

**Althon Ltd**  
Vulcan Rd South  
Norwich NR6 6AF  
t: 01603 488700  
f: 01603 488598  
www.althon.co.uk

