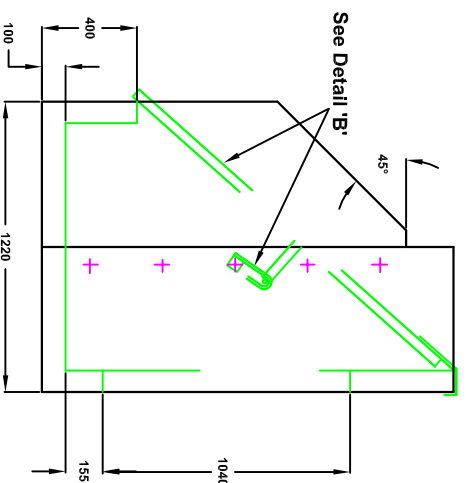
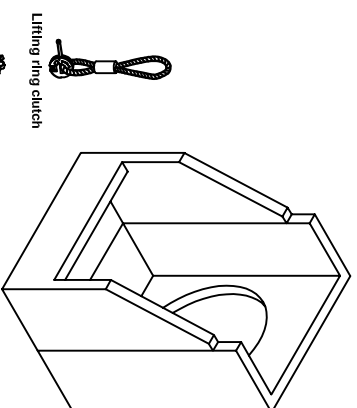
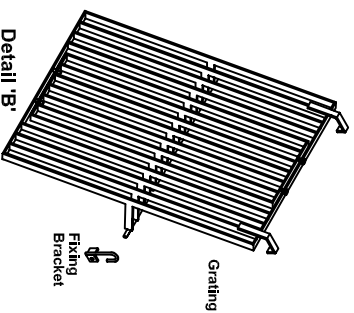
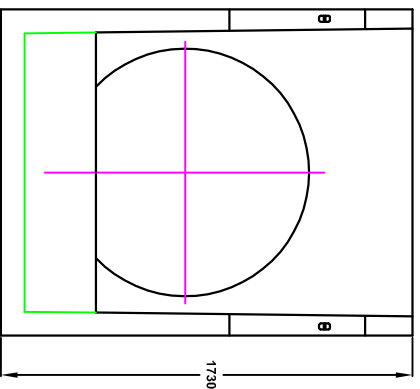
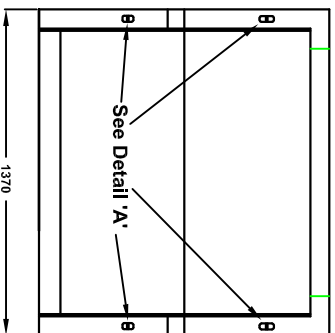


SILT TRAP

TWO PIECE HEAVY DUTY SILT TRAP INLET

2PHDST B



Detail 'A'
Cast in Universal anchor point

Installation

Units should be bedded on minimum 100mm of semi-dry concrete. Sit the headwall level or with a slight fall 1:50 from pipe to spill mouth.
For full detailed installation instructions contact ALTHON Ltd, 01603 488700

Material: Reinforced concrete
Weight approximately 1250kg

All dimensions in mm

Althon Ltd
Vulcan Rd South
Norwich NR6 6AF
t: 01603 488700
f: 01603 488598
www.althon.co.uk



ALTHON HEADWALL