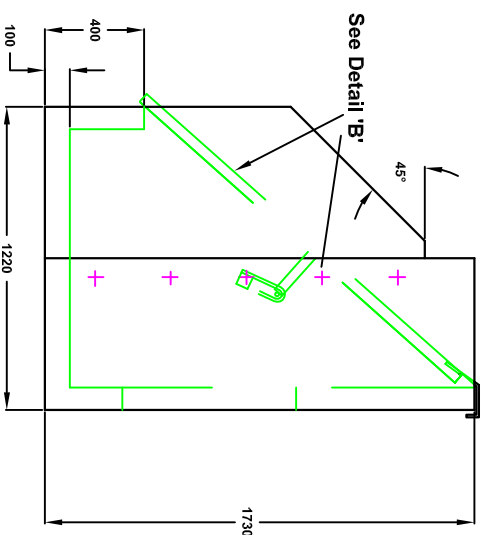
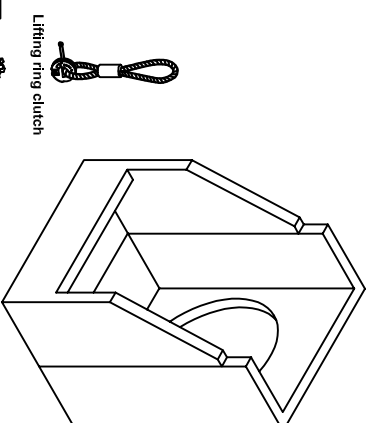
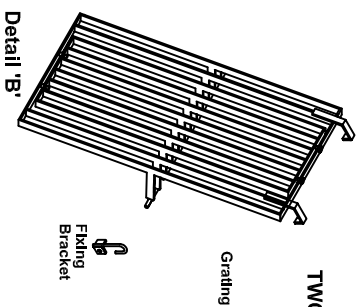
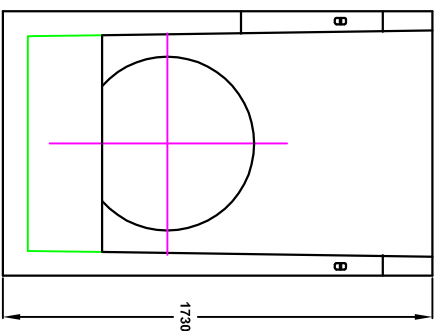
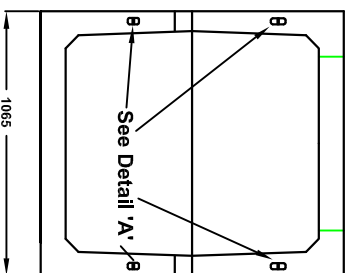


# SILT TRAP

## TWO PIECE HEAVY DUTY SILT TRAP INLET

### ZPHDST A



**Detail 'A'**  
Cast in Universal anchor point

#### Installation

Units should be bedded on minimum 100mm of semi-dry concrete. Sit the headwall level or with a slight fall 1:50 from pipe to spill mouth.  
For full detailed installation instructions contact ALTHON Ltd, 01603 488700

**Material:** Reinforced concrete  
**Weight:** approximately 1250kg

All dimensions in mm

**Althon Ltd**  
Vulcan Rd South  
Norwich NR6 6AF  
t: 01603 488700  
f: 01603 488598  
www.althon.co.uk

