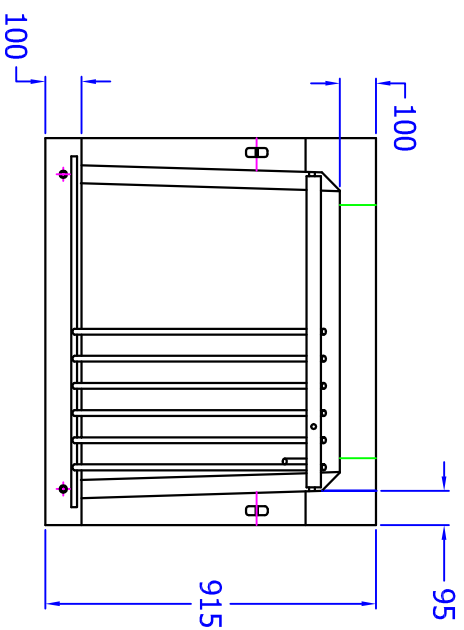


Partial plan view of grating.

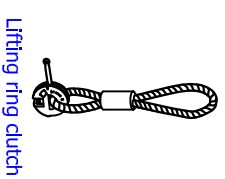
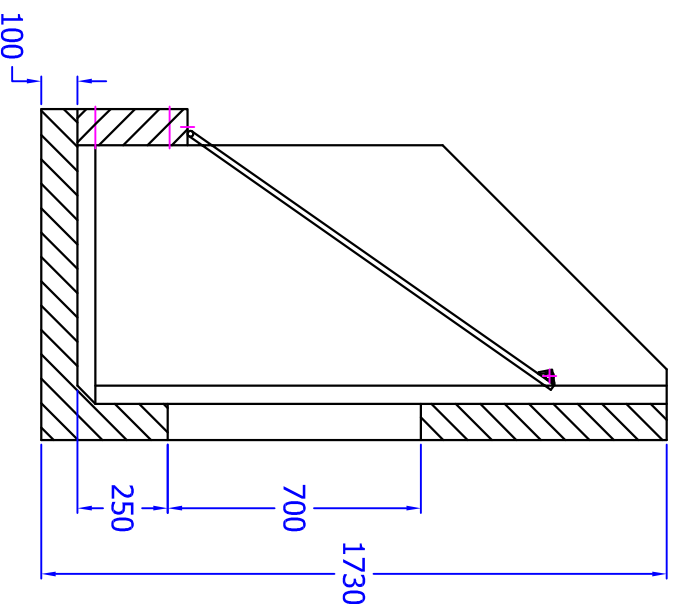


1 PIECE HEAVY DUTY SILT TRAP

Opening cast in back wall to suit OD of pipe at invert height required.

Type XST Grating Cutting List			
Material	Quantity	Length	
40x40 angle	1	860mm	
16mm dia bar	11	1220mm	
16mm dia bar	1	980mm	
16mm dia bar	2	75mm	
16mm dia bar	2	200mm	

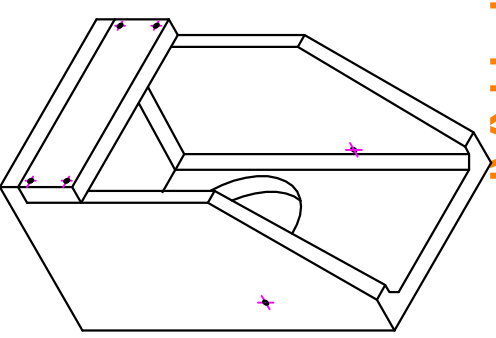
Section XX



Cast in Universal anchor point

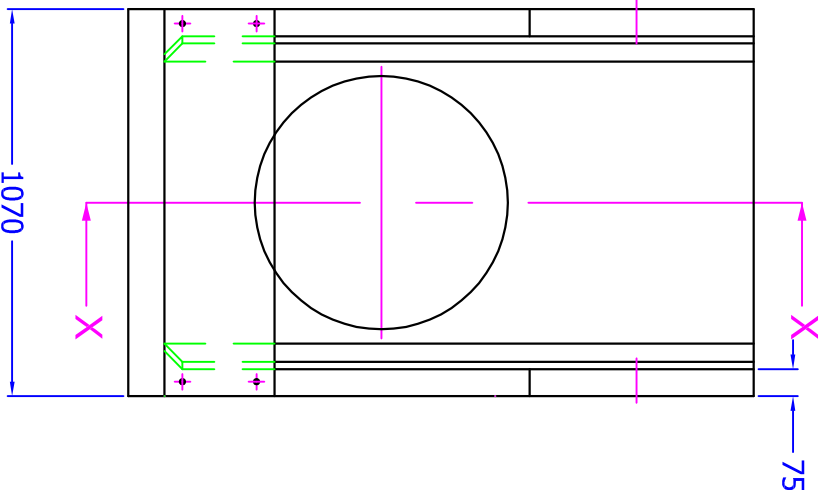
Installation

For full detailed installation instructions contact Althon



Material: Reinforced concrete
Approximate weight 1450kg

All dimensions in mm



ALTHON LIMITED, VULCAN ROAD SOUTH, NORWICH NR6 6AF
TEL 01603 488700 FAX 01603 488598

DRG NO:- XST 1070 x 1730