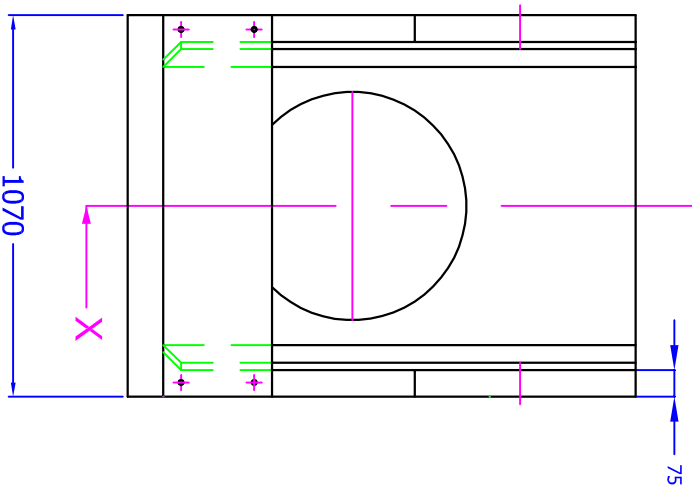
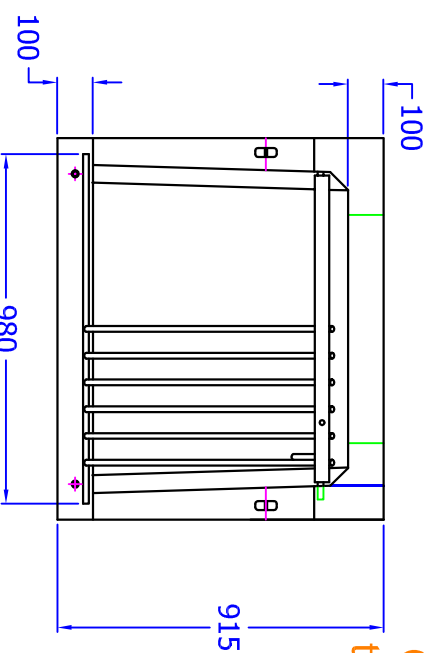


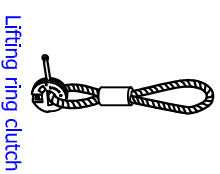
Partial plan view of grating.



1 PIECE HEAVY DUTY SILT TRAP

Opening cast in back wall to suit OD of pipe at invert height required.

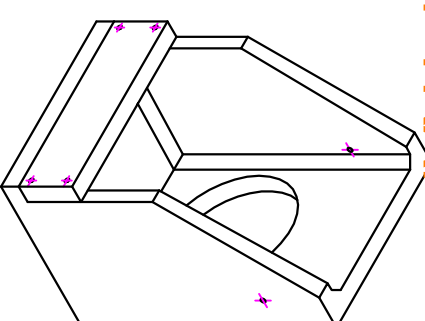
Type XST Grating Cutting List			
Material	Quantity	Length	
40x40 angle	1	860mm	
16mm dia bar	12	980mm	
16mm dia bar	2	75mm	
16mm dia bar	2	200mm	



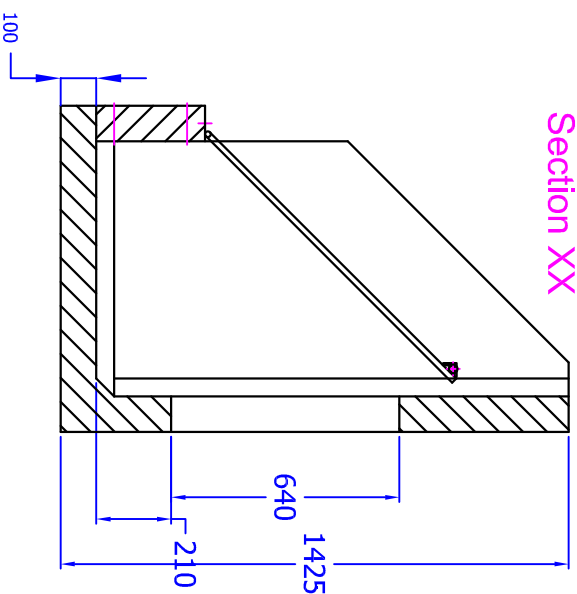
Detail 'A'
Cast in Universal anchor point

Installation

For full detailed installation instructions contact Althon



Section XX



Material: Reinforced concrete
Approximate weight 1250kg
All dimensions in mm



ALTHON LIMITED, VULCAN ROAD SOUTH, NORWICH NR8 6AF
TEL: 01603 488700 FAX: 01603 488598

DRG NO:- XST 1070 X 1425